

## MIMO Omnidirectional Ceiling Antenna

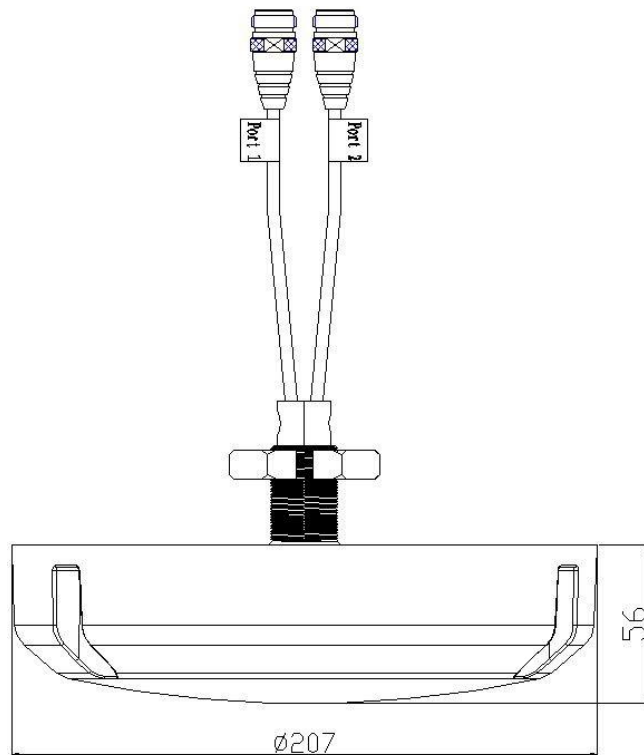
Part Number: VTMIMO-617-6000-1



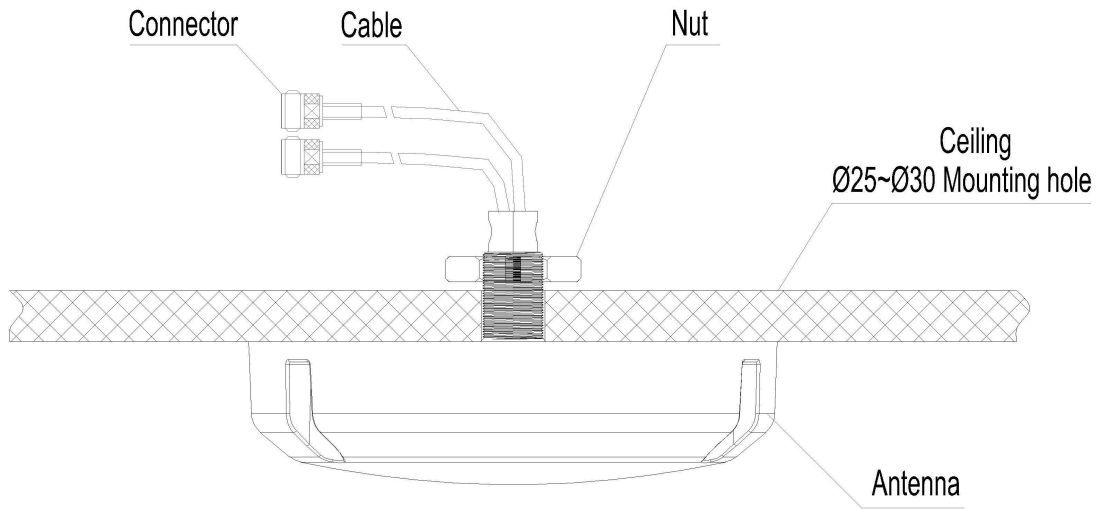
### Application

- Used in 2G/3G/4G/5G/WLAN system

### 1. Dimension (Unit: mm)



## 2.Installation Sketch



- 1、 Drill a round hole  $\Phi 25\text{mm} \sim \Phi 30\text{mm}$  on the ceiling.
- 2、 Match the antenna to the round hole.
- 3、 Fix the antenna onto the ceiling with the screws.

Attention!

The hole on the ceiling must be slightly bigger than the antenna connector flange, and the antenna base plate should be in close contact with the ceiling, which influences the performance of the antenna.

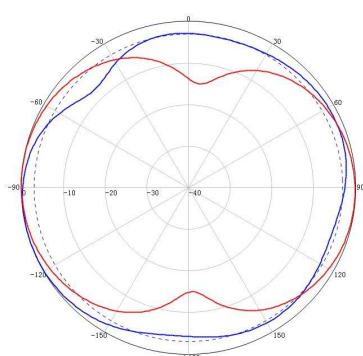
## 3.Electrical Characteristics

No.	Item	Specifications			
		617-960	1710~2700	3300~3800	4900-6000
1	Frequency Range-MHz	617-960	1710~2700	3300~3800	4900-6000
2	Polarization	2*Linear			
3	Maximum Gain (dBi)	4	5	6	6
4	Horizontal beam width (°)	360			
5	Vertical beam width (°) (Typical values)	80	50	40	50
6	Isolation (dB)	$\geq 16$	$\geq 20$	$\geq 25$	$\geq 20$
7	VSWR	$\leq 2.0$		$\leq 1.8$	
8	Impedance- $\Omega$	50			
9	Maximum power (W)	50			
10	Intermodulation IM3 (2x43dBm carrier)	$\leq -150$ dBc			
11	Grounding	DC Ground			

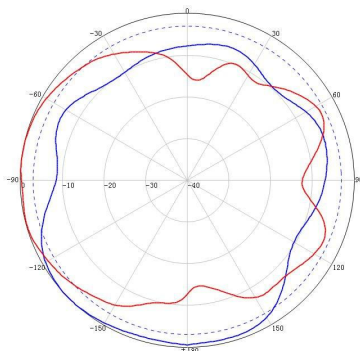
## 4. Mechanical Characteristics

No.	Item	Specification
1	Connector	2*4.3-10 Female or customer requirement
2	Connector position	Bottom
3	Exposed cable size (cm)	30(or customer requirement)
4	Height/width/depth (mm)	Φ207*56
5	Packing size (mm)	213*168*204
6	Weight (kg)	0.6
7	Radome material	ABS
8	Radome color	White
9	Operating temperature (°C)	-40~60
10	Application	Indoor
11	Mounting	Nut

617~960MHz Typical pattern:



1710~2700MHz Typical pattern:



3300~6000MHz Typical pattern:

