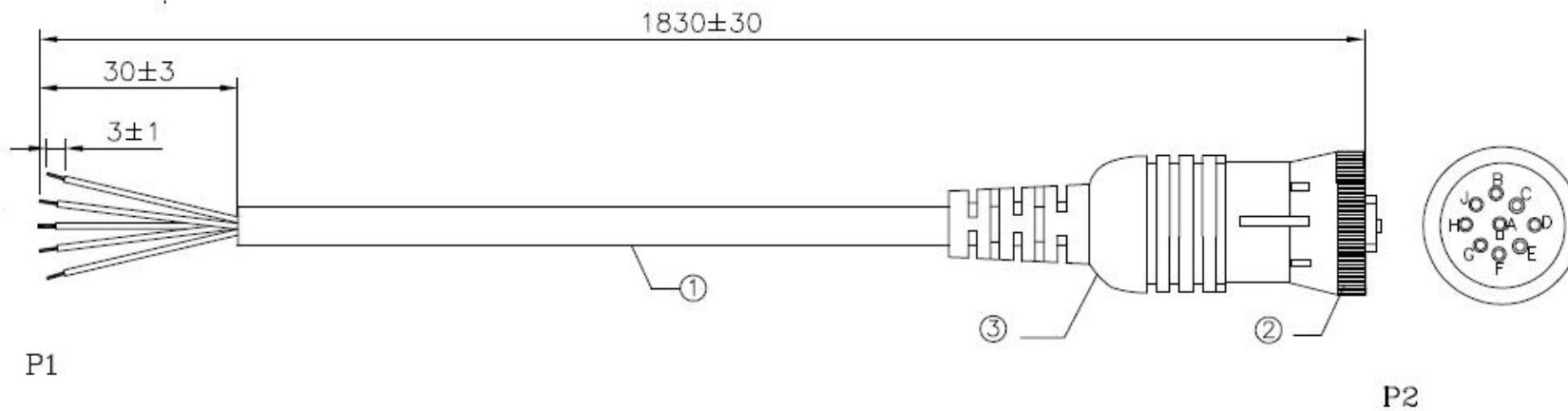


# ROHS

SIGN	DATE	DESCRIPTION	APPROVER
△			
△			
△			



P1		P2
TINNED	_____	A
TINNED	_____	B
TINNED	_____	C
TINNED	_____	D
TINNED	_____	E
TINNED	_____	F
TINNED	_____	G
TINNED	_____	H
TINNED	_____	J

**ELECTRONIC TEST:**

1. Voltage:DC 300V 5M ohm/10 ms.
2. Contact resistance: 3.0 ohm MAX.
3. 100% Open,Short,Mis-Wire Testing.



## V. TORCH

DRG No: <b>TRK-001</b>		UNIT:MM
APPROVED BY	CHECKED BY	DESIDNED BY
Zuo Fei 2014/11/28	An li Hua 2014/11/28	Cai Chuang 2014/11/28

ITEM	DESCRIPTON	Q'TY	REMARK
3	PVC: BLACK OVERMOLD,45P	45G	
2	CONN:DEUTSCH 9P MALE	1PCS	
1	UL2464 20AWG*9C,O.D=8.0MM,BALCK JACKET	1.83M	