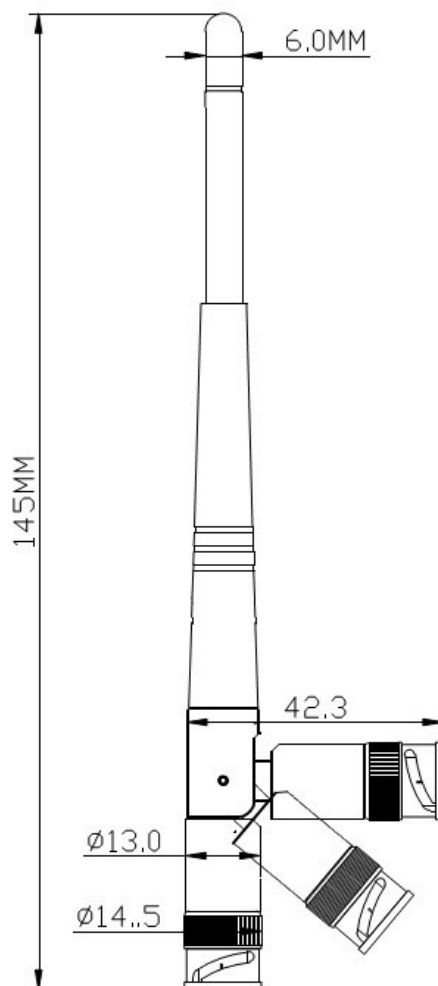


# 433MHz Antenna

Part Number: VT433-15



1 Dimension (Unit: mm)



2 Electrical Characteristics

No.	Item	Specifications
1	Frequency (MHz)	433mhz
2	V.S.W.R	< 1.5
3	Gain (Zenith)	3dBi
4	Impedance	50 Ω
4	Polarization	Vertical
5	Max Power	50W

3.2 Mechanical

Form 2

No.	Item	Specification
1	Connector	BNC
2	Plastic Housing	Black
3	Height	145mm
4	Max diameter	14.5mm
5	Min diameter	6mm

