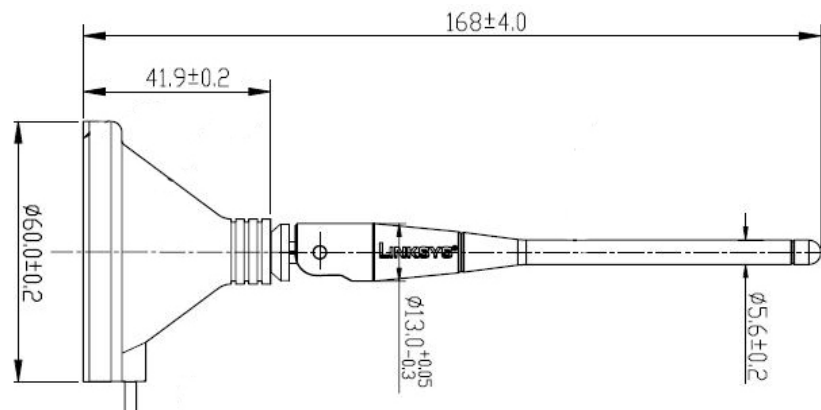


# WiFi Antenna

Model: VTWFA-15



## 1 Dimension (Unit: mm)



## 2 Electrical Characteristics

### 3.1 WiFi Antenna

Form 1

No.	Item	Specifications
1	Frequency (MHz)	2400~2500 MHz
2	V.S.W.R (in BW)	$\leq 2.0 : 1$

Room 519 West Wing CEC Information building NO.1  
Xinwen Road Futian District Shenzhen 518034 China  
Website: [www.v-torch.com](http://www.v-torch.com)

Tel: 86-755-8363 5090  
Fax: 86-755-8950 7007  
E-mail: [info@v-torch.com](mailto:info@v-torch.com)

3	Gain (Zenith)	2 dBi
4	Polarization	Vertical
5	Impedance	50 $\Omega$

## 3.2 Mechanical

## Form 2

No.	Item	Specification
1	Cable	RG174 3m/5m or others
2	Connector	SMA or others
3	Plastic Housing	Black
4	Mounting	Magnet