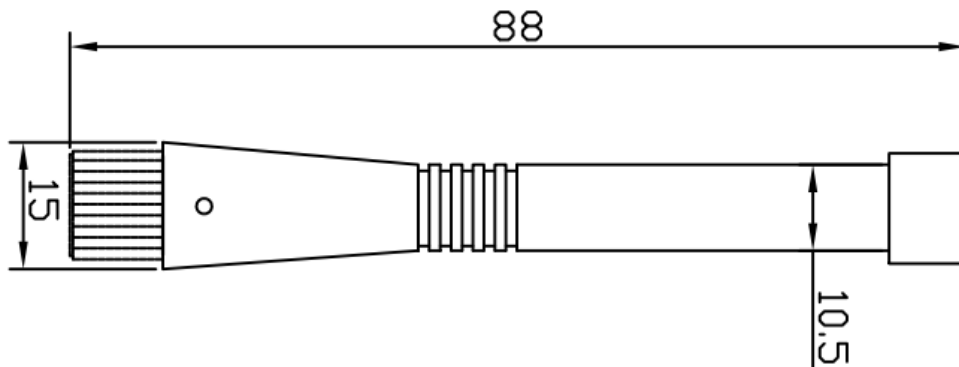


# 433MHz Antenna

Part Number: VT433-4



## 1 Dimension (Unit: mm)



## 2 Electrical Characteristics

Electrical Characteristics	
Working Frequency ( MHz )	433 MHz $\pm$ 20MHz
S.W.R	< 2.0
Impedance	50 ohm ( Nominal )
Gain ( dBi )	3.0 dBi
Polarization	Vertical
Admitted Power ( W )	20 W

Physical Characteristics	
Inner Material	Cu
Connector	SMA Male
Antenna size	Ø15*88mm
Weight	23g
Operating Temp.	-40°C ~ +60°C
Storage Temp.	-50°C ~ +70°C

3. Test Report

3.1 S Parameter Test

